



black & white



## for **SWING** doors – NM 938

This is the handle you need for the majority of your interior doors. You have all the functionalities of the invisible handle without the locking mechanism.



### NM 938 S0/...

This is the version with the longer striking plate, this is the original solution. Available in different finishes of front plates:

SATIN CHROME	NM 938 S0/SC
POLISH CHROME	NM 938 S0/PC
POLISH BRASS	NM 938 S0/PB
<b>BLACK</b>	<b>NM 938 S0/BL</b>
<b>WHITE</b>	<b>NM 938 S0/WT</b>



### NM 938 S5/...

This is the version with the shorter striking plate, Available in satin chrome

SATIN CHROME	NM 938 S5/SC
<b>BLACK</b>	<b>NM 938 S5/BL</b>
<b>WHITE</b>	<b>NM 938 S5/WT</b>



## for **SWING** doors – NM 937

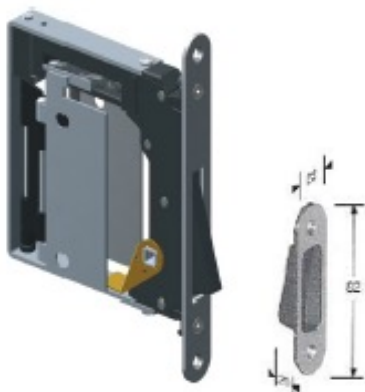
This is the handle you need for your bathroom doors. You have all the functionalities of the invisible handle and gives you the privacy at the inside of your bathroom with a one sided locking mechanism. There is still an emergency option to open it from the outside.



### NM 937 S0/...

This is the version with the longer striking plate, this is the original solution. Available in different finishes of front plates:

SATIN CHROME	NM 937 S0/SC
POLISH CHROME	NM 937 S0/PC
POLISH BRASS	NM 937 S0/PB
<b>BLACK</b>	<b>NM 937 S0/BL</b>
<b>WHITE</b>	<b>NM 937 S0/WT</b>



### NM 937 S5/...

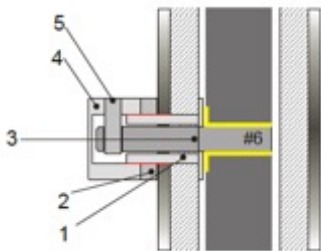
This is the version with the shorter striking plate, Available in sation chrome

SATIN CHROME	NM 937 S5/SC
<b>BLACK</b>	<b>NM 937 S5/BL</b>
<b>WHITE</b>	<b>NM 937 S5/WT</b>



## for **PRIVACY** lock – doorknobs

The doorknobs has been specially designed for the NM 937 in order to retain the door's minimalist appearance as much as possible. They are made of stainless steel and are used to lock the toilet door on one side. Other commercially available doorknobs may also be used, as long as the #6x6 square rod is made of a non-ferrous metal.



### S012 - Cartel

1-sided button

S012 – satin chrome

S012 – PC – polish chrome

S012 – PB – polish brass

**S012 – BL – black**

**S012 – WT – white**

In case of emergency, it is possible to open the door from the outside by sliding a sheet of paper downwards between the door and the jamb where the lock is situated.





## the **STORY** behind No-ha

No-ha has its origins in 2005, it is then that we made our first prototype and started the development of "the invisible handle".

*"In that period, together with my father, I developed the most appealing door solutions that have even become the standard today. We pioneered the development of hidden door frames and even achieved a Red Dot: best of the best with the development of SecretSlide, a sliding door with invisible rail.*

*After all these years, No-ha has become a collection with which anything is possible, with which handles can disappear into the interior or just provide a sparkle in your living room.*

*In this way No-ha has become a family business, but much more than a family business we are a father and son with the same passion for inventing and we will always continue to do so."*



**HEAD OFFICE**

Maarschalk Gerardstraat 5  
2000 Antwerp  
Belgium  
+32 (0)489 511 741  
info@no-ha.com  
www.no-ha.com

**Noha**<sup>®</sup>  
the invisible handle